



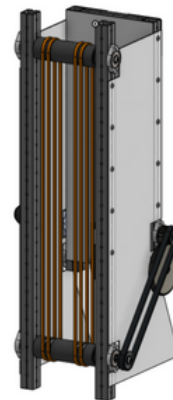
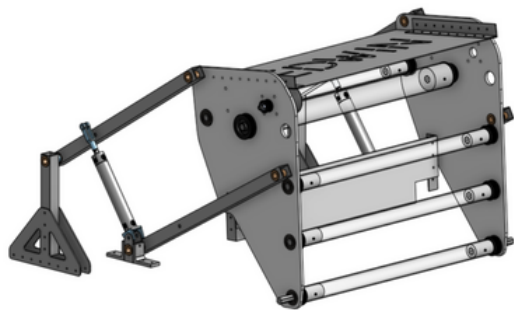
STUYPOST



December 2020 Newsletter

Engineering

Engineering has been working on Research and Development, which involves many student-led projects. We have been working on creating new mechanisms such as a swerve drive, as well as redesigning and improving our 2020 robot. We have also been working on researching omnidirectional shooters, studying non-circular gears, examining 3-D printing, and designing cascading lifts.

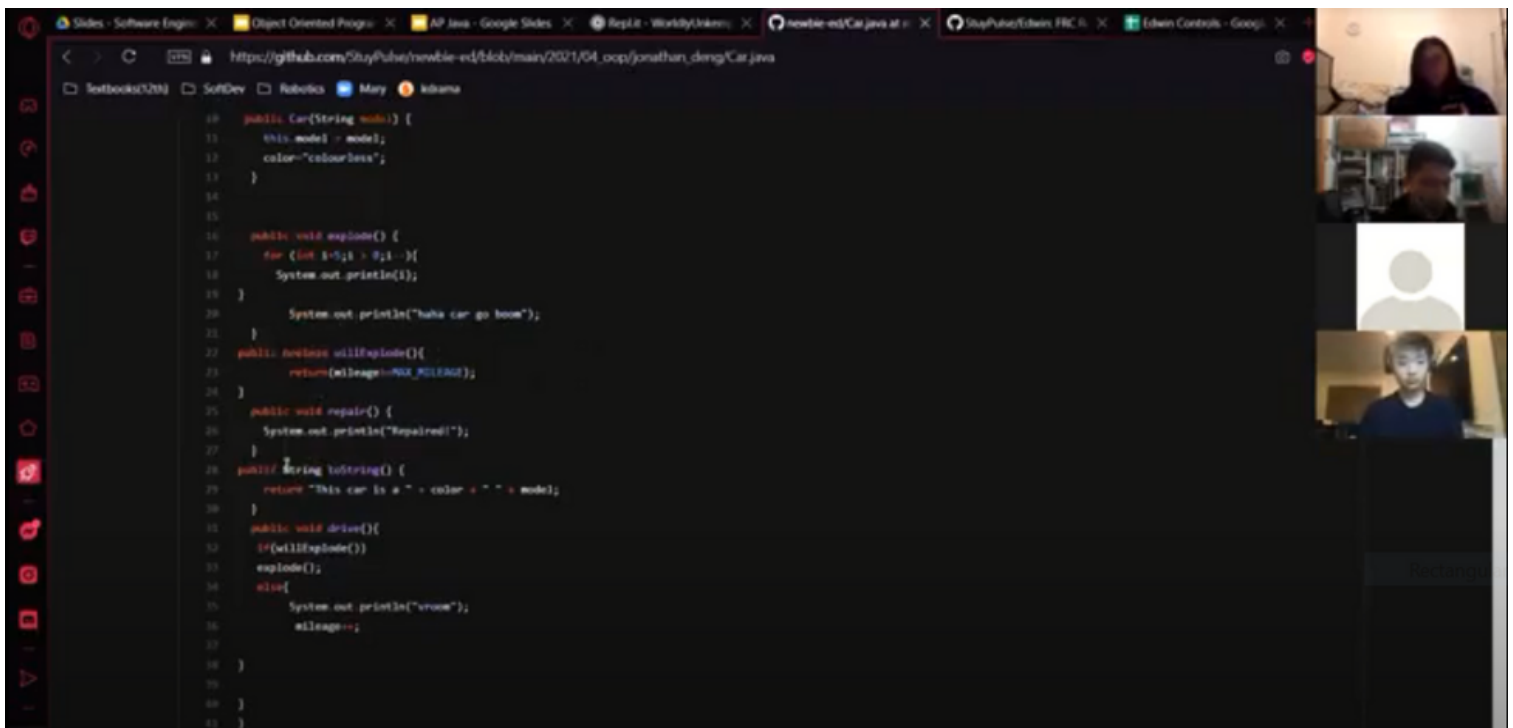


December 2020



Software Engineering

Software Engineering has been working on computer vision and continuing with their newbie education curriculum. Newbies have finished learning the basics of Java as well as object oriented programming and will move on to learning robot code after winter break. Members have also begun beta testing for the 2021 season to help discover bugs and errors in released code for the upcoming season.



December 2020



Marketing

Marketing has been working on continuing Stuy Splash, expanding it from our annual presentation to a series of virtual panels. On January 16th, we'll be hosting our panel regarding how teams have adjusted during COVID-19. In preparation for this panel, we've been reaching out to mentors and student leaders from teams from the FRC community. We've also been brainstorming our team's approach for the FIRST Chairman's Award.

Upcoming Events

Our team has been busy preparing for the official start of the season, marked by Kickoff on January 9th. In addition, we have been working on our essay for the Chairman's award and continuing our efforts to meet with the Puerto Rico FLL teams.



**INFINITE
RECHARGE**SM

December 2020

